

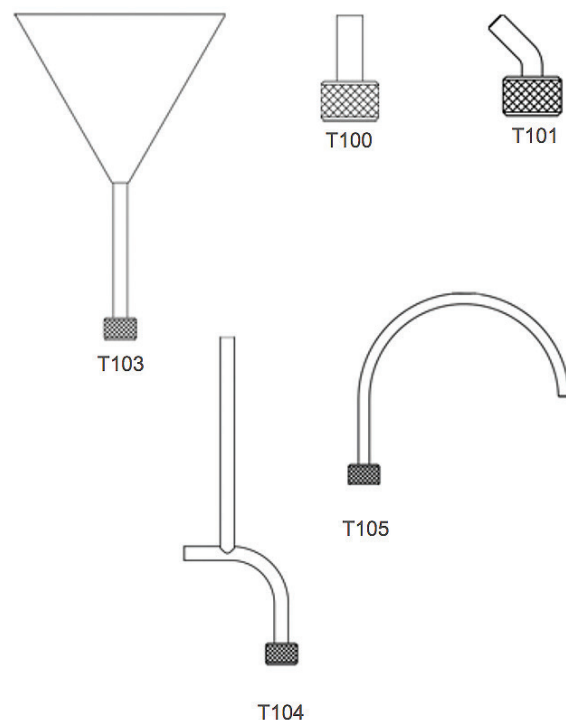
ThermoTube Specification

To order a ThermoTube, specify the code number from the size table and add the code number for the connector set required. For example: a 200 mm pathlength tube with an 8 mm bore for use as a funnel fill system, order TT2-8-TC30.

Individual connectors may be ordered separately if you want to use the ThermoTube in different ways or for spares. Each polarimeter tube system that you wish to run simultaneously will also require one Control Unit and one appropriate adapter kit.

ThermoTube Sizes

Code No.	Path Length mm	Bore mm	Approx. Volume ml
TT2-8	200	8	10
TT1-8	100	8	5
TT2-4	200	4	2.5
TT1-4	100	4	1.3



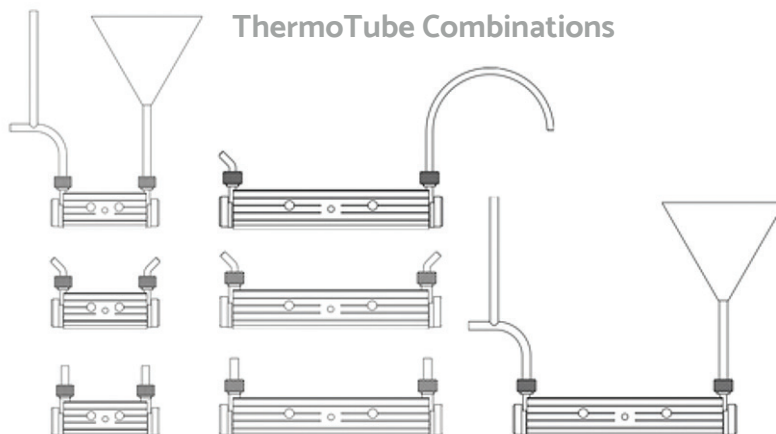
Control Unit - Order Code No. TTP1

Size:	w 120 mm x d 180 mm x h 70 mm
Weight:	0.3 Kg
Power Requirements:	86v to 265v AC, 47Hz to 63Hz less than 50 watts
Controls:	Infrared remote control unit

Length tolerance: to ICUMSA class A

Materials in contact with the sample: 316 stainless steel

End windows: Crown glass



Individual Connectors

Code No.	Description
T100	Straight fitting
T101	Luer Taper fitting
T103	Funnel
T104	Syphon breaker
T105	Ingestion tube

Connector Sets

Code No.	Description	Set	Flexible Tubing i.d.
-TC10	Flow system 8mm bore	2 of T100	7 mm
-TC20	Flow system 4mm bore or injection fill system	2 of T101	4.8 mm
-TC30	Funnel fill system	1 x T103 1 x T104	7 mm
-TC40	Pump ingestion system	1 x T105 1 x T101	4.8 mm



TTP1 - Control Unit